

THE CITY OF
POMONA

Development Services Department



November 29, 2023

Jalani High
1941 S. Vineyard Avenue
Ontario, CA 91764

Subject: Notice of Decision for File No. MINCOA 22861-2023

Dear Jalani High,

The Planning Division has reviewed your Certificate of Appropriateness application to install a solar system on the roof of the property located at 361 E. Alvarado St. Upon review of the City's historic preservation ordinance and design guidelines your project has been **approved**. The attached decision letter provides the analysis and basis for the decision. There is a 20 day appeal period from the date of approval.

If you have any questions, please contact me at (909) 620-2449 or email me at alan.fortune@pomona.gov.

Sincerely,

A handwritten signature in black ink that reads "Alan Fortune". The signature is fluid and cursive.

Alan Fortune
Assistant Planner

Attachment



City of Pomona

MINOR CERTIFICATE OF APPROPRIATENESS DECISION LETTER

FILE NO: MINCOA 22861-2023
A request for a Minor Certificate of Appropriateness for install a solar system on the roof of a contributing historic structure.

ADDRESS: **361 E. Alvarado Street**

APPLICANT: Jalani High

PROJECT PLANNER: Alan Fortune, Assistant Planner

DECISION: Approved File No(s). MINCOA 22861-2023.

BASIS FOR DECISION

Staff reviewed Pomona's Historic Preservation Ordinance (Section .5809-13), and the applicable design standards in Preserving Pomona – The Pomona Guide to Historic Preservation. In order to approve a Minor Certificate of Appropriateness Staff must determine that the findings contained in the City's Historic Preservation Ordinance can be made.

Applicable Design Standards

- There will be no change in appearance of the roof.
- The solar panels are removable so that, if removed at a later date, will not cause a change in the appearance of the roof;
- The solar panels are removable so that, if removed at a later date, will not cause the historic roofing material of the roof to be removed; and
- Any removal of roofing material at the time of installation will be replaced in-kind, causing no change in appearance and is subject to a reroof permit.
- Project meets City's preferred location for solar panels (Guide to Installing Solar Panels) (Not required under state law)
- Project Applicant or owner signed Conditions of Approval

CONDITIONS OF APPROVAL:

The Planning Division has completed its review of MINCOA 22861-2023. The request has been **approved**. The approval is subject to the following conditions:

1. The approval shall be used in the manner requested and shall be in substantial conformity with the



City of Pomona

MINOR CERTIFICATE OF APPROPRIATENESS DECISION LETTER

plans approved by the Planning Division on the date listed on this letter, in accordance with the revision and/or additional conditions specifically required in this approval.

2. The approval shall be valid for not more than one year from the date of Permit approval. The Planning Division may grant a time extension for one (1) year provided that a written request by the applicant is submitted to the Planning Division within thirty (30) days prior to the expiration date without a fee. If plans are submitted to the Building and Safety division within one year from the date of approval, the proposed action shall be considered active.
3. The applicant shall obtain any required permits from the Building & Safety Division and/or Department of Public Works.
4. In the event that the approved plans under this Minor Certificate of Appropriateness are inconsistent with the provisions of the California Code of Regulations, Title 24 and/or any other applicable uniform building codes, the applicable building codes shall prevail.
5. Any deviation from the approved plans, shall require modification to the Certificate of Appropriateness and require approval of the Planning Division and, if necessary, the Historic Preservation Commission.
6. All project conditions shall be imprinted on the title sheet of the construction drawings (if required). The approved set of plans shall be retained on-site for review by Building Inspectors during the course of construction.
7. Prior to Occupancy the Planning Division shall inspect the premises to ensure the Conditions of Approval have been met and that the project has been constructed per the approved plans.
8. Construction Activities:

Hours of construction activity shall be limited to:

7:00 a.m. to 8:00 p.m., Monday through Saturday

(There shall be no construction allowed on Sunday or on any Federal or State Holiday)

9. Violation of any of the conditions of this permit shall be cause for revocation and termination of all rights thereunder.
10. The applicant shall obtain a building permit prior to any demolition or construction.
11. All ground and roof-mounted equipment is required to be fully screened from view. Upon final inspection, Planning Division staff may require additional screening if warranted, through either landscaping, walls or a combination thereof.



City of Pomona

MINOR CERTIFICATE OF APPROPRIATENESS DECISION LETTER

12. There will be **NO** change in appearance of the roof;
13. The solar panels will be installed in such a manner that they are removable at a later date **WITHOUT** affecting the historic character of the roof;
14. The solar panels will be installed in such a manner that they are removable at a later date **WITHOUT** having to remove the historic roof material.
15. Any removal of existing roof material at the time of installation will be replace with a like material causing **NO** change in appearance and subject to a reroof permit.

APPEALS

This decision will become final on December 20, 2023, unless an appeal is filed with the Planning Division prior to this date. The applicant or any member of the public may file an appeal. There is no cost to file an appeal for a Minor Certificate of Appropriateness. Appeals may be filed with the contact listed in this letter.

Sincerely,

A handwritten signature in blue ink, appearing to read "Geoffrey Starns".

Geoffrey Starns, AICP, LEED AP BD+C
Historic Preservation Supervisor

November 29, 2023

Date



City of Pomona

MINOR CERTIFICATE OF APPROPRIATENESS DECISION LETTER

For Solar Panel Installations Only:

Acceptance of Conditions of Approval

1. There will be **NO** change in appearance of the roof;
2. The solar panels will be installed in such a manner that they are removable at a later date **WITHOUT** affecting the historic character of the roof;
3. The solar panels will be installed in such a manner that they are removable at a later date **WITHOUT** having to remove the historic roof material.
4. Any removal of existing roof material at the time of installation will be replace with a "like for like" material causing **NO** change in appearance and subject to a reroof permit.

I, as the applicant for the above referenced project, have reviewed the conditions of approval listed above and agree to all the conditions. As representative for the property owner I further state that the property owner has reviewed the above listed Conditions of Approval and is in agreement with the Conditions of Approval and has authorized me to accept the Conditions of approval on his behalf.

Jalani High

Signature: _____

11/28/2023

Name: **Jalani High**

_____ Date

Applicant **Jalani High**

SHEET INDEX	
PV1	TITLE SHEET
PV2 (+PV2.1 AS NEEDED)	ROOF/SITE PLAN
PV3 (+ PV3.1 AS NEEDED)	ELECTRICAL LINE DIAGRAM/ DETAILS
PV4	EQUIPMENT LABELS
PV4.1	PLACARD
PV5	ATTACHMENT PLAN
PV6	STRUCTURAL COMPONENTS
PV7	PROPERTY LINES
PV8-PV10	INSTALL DOCUMENTS
	STRUCTURAL ENGINEERING CALCS (IF REQ.)
	EQUIPMENT DATA SHEETS

APPLICABLE CODES
2022 CA BUILDING CODE
2022 CA RESIDENTIAL CODE
2022 CA MECHANICAL CODE
2022 CA ELECTRICAL CODE
2022 CA GREEN CODE
2022 CA PLUMBING CODE
2022 CA ENERGY CODE
2022 CA RESIDENTIAL FIRE CODE

OCCUPANCY & CONSTRUCTION TYPE
OCCUPANCY - R3
CONSTRUCTION - 5B

CONTRACTORS LICENSE # & TYPE
BRIGHT PLANET SOLAR INC
C-10#1020761

CONSTRUCTION NOTES	
A.	A LADDER SHALL BE IN PLACE FOR ANY INSPECTIONS IN COMPLIANCE WITH OSHA REGULATIONS.
B.	PV MODULES ARE NON-COMBUSTIBLE IN NATURE.
C.	THIS SYSTEM IS A UTILITY INTERACTIVE (GRID CONNECTED) SYSTEM AND DOES NOT HAVE STORAGE BATTERIES (UNLESS SPECIFICALLY INDICATED ON SHEET PV3 & PV3.1).
D.	A GROUND ELECTRODE SYSTEM WILL BE PROVIDED IN ACCORDANCE WITH CEC 690.47 & 250.166. GROUNDING ELECTRODE SYSTEM OF EXISTING BUILDING MAY BE USED WHEN BONDED AT THE SERVICE ENTRANCE. IF EXISTING SYSTEM IS INACCESSIBLE OR INADEQUATE, OR IS ONLY METALLIC WATER PIPING, A SUPPLEMENTAL GROUNDING ELECTRODE WILL BE USED AT THE INVERTER LOCATION CONSISTING OF A UL LISTED 8FT GROUND ROD WITH ACORN CLAMP. GROUNDING ELECTRODE CONDUCTORS SHALL BE NO LESS THAN #8 AWG AND NO GREATER THAN #6 AWG COPPER AND BONDED TO THE EXISTING GROUNDING ELECTRODE TO PROVIDE FOR A COMPLETE GROUNDING SYSTEM.
E.	EACH MODULE WILL BE GROUNDED USING THE SUPPLIED CONNECTION POINTS IDENTIFIED IN THE MANUFACTURER'S INSTALLATION INSTRUCTIONS.
F.	THE EXPOSED METALLIC TABS OF THE SOLAREGE OPTIMIZERS SHALL BE BONDED AND/OR GROUNDED PER CEC 690.43(A) AND THE MANUFACTURER'S INSTRUCTIONS.
G.	PROPER ACCESS AND WORKING CLEARANCE AROUND EXISTING AND PROPOSED ELECTRICAL EQUIPMENT WILL BE PROVIDED AS PER CEC 110.26.
H.	ALTERNATE POWER SOURCE PLACARD SHALL BE PLASTIC, ENGRAVED IN A CONTRASTING COLOR (WHITE). THIS PLAQUE WILL BE PERMANENTLY ATTACHED & UV RESISTANT.
I.	ALL PLAQUES AND SIGNS WILL BE INSTALLED AS REQUIRED BY 2022 CEC.
J.	A SMOKE DETECTOR, APPROVED AND LISTED BY THE STATE FIRE MARSHAL, SHALL BE INSTALLED IN EACH DWELLING WHEN A PERMIT FOR ALTERATIONS, REPAIRS OR ADDITIONS EXCEEDS \$1,000.00. A BATTERY POWERED SMOKE DETECTOR SATISFIES THE REQUIREMENTS FOR A SMOKE DETECTOR. APPROVED COMBINED SMOKE ALARMS AND CARBON DIOXIDE ALARMS SHALL BE ACCEPTABLE. A CARBON MONOXIDE DETECTOR SHALL BE INSTALLED IN THE SPECIFIC EXISTING DWELLING UNIT THAT HAVE ATTACHED GARAGES OR FUEL-BURNING APPLIANCES FOR WHICH A PERMIT IS ISSUED FOR ALTERATIONS, REPAIRS OR ADDITIONS EXCEEDING \$1,000.00. LISTED SINGLE- OR MULTI-STATION CARBON MONOXIDE ALARMS SHALL BE INSTALLED OUTSIDE OF EACH SEPARATE SLEEPING AREA IN THE IMMEDIATE VICINITY OF THE BEDROOMS AND ON EVERY LEVEL OF A DWELLING UNIT INCLUDING BASEMENTS. COMBINED SMOKE/CARBON MONOXIDE ALARMS MAY BE USED. THE ALARM SHALL RECEIVE ITS PRIMARY POWER FROM THE BUILDING WIRING EXCEPT IT IS PERMITTED TO BE SOLELY BATTERY OPERATED WHERE REPAIRS OR ALTERATIONS DO NOT RESULT IN THE REMOVAL OF WALL AND CEILING FINISHES OR THERE IS NO ACCESS BY MEANS OF AN ATTIC.
K.	THE GROUNDING ELECTRODE CONDUCTOR SHALL BE PROTECTED FROM PHYSICAL DAMAGE BETWEEN THE GROUNDING ELECTRODE AND THE PANEL (OR INVERTER) IF SMALLER THAN #6 AWG COPPER WIRE AS PER CEC 250.64(B)(2). THE GROUNDING ELECTRODE CONDUCTOR WILL BE CONTINUOUS, EXCEPT FOR SPLICES OR JOINTS AS BUSBARS WITHIN LISTED EQUIPMENT AS PER CEC 250.64(C).
L.	ROOF COVERINGS SHALL BE DESIGNED, INSTALLED, AND MAINTAINED IN ACCORDANCE WITH THE BUILDING CODE OF THE LOCAL JURISDICTION.
M.	PV SYSTEMS CONNECTION IN THE SWITCH GEAR (PANEL) SHALL BE POSITIONED AT THE OPPOSITE END FROM THE INPUT FEEDER LOCATION OR MAIN CIRCUIT LOCATION AS PER CEC 705.12(B)(3)(2).
N.	ALL EQUIPMENT SUPPLIED SHALL BE UL LISTED OR LISTED BY A LISTING AGENCY RECOGNIZED BY THE STATE IN WHICH THE SYSTEM IS CONSTRUCTED.
O.	AC DISCONNECTS SHALL BE IN COMPLIANCE WITH CEC 690.13.
P.	ALL DC CONDUCTORS SHALL BE 90° RATED THHW, THWN-2, USE-2 OR PV WIRE. ALL AC CONDUCTORS SHALL BE 75° RATED THWN WIRE.
Q.	ANY DC RUNS INSIDE THE BUILDING MUST BE IN METAL CONDUIT AND LABELED EVERY 10'.
R.	THE UTILITY DISCONNECT HAS VISIBLE BLADES, IS LOCKABLE AND IS ACCESSIBLE TO THE UTILITY 24/7.
S.	ALL BREAKERS SHALL BE SUITABLE FOR BACK FEED. WHEN BACK FED BREAKER IS THE METHOD OF UTILITY INTERCONNECTION THE BREAKER SHALL NOT READ 'LINE AND LOAD'.
T.	COORDINATE ANY POWER OUTAGE WITH LOCAL UTILITY AND PROPERTY OWNER. NOTIFY UTILITY BEFORE ACTIVATION OF PV SYSTEM.
U.	CITY BUILDING INSPECTOR SHALL INSPECT ACCESSIBLE STRUCTURAL CONNECTIONS AND THE HOUSE CURRENT SIDE OF THE SYSTEM, ALL OTHER EQUIPMENT SHALL BE UL LISTED AND APPROVED.
V.	PHOTOVOLTAIC MODULES SHALL NOT BE INSTALLED OVER ANY ATTIC, PLUMBING OR MECHANICAL VENT. PLUMBING VENTS TO EXTEND A MIN OF 6" ABOVE ROOF OR MODULE. NO BLDG, PLBG OR MECH VENTS TO BE COVERED, OBSTRUCTED OR ROUTED AROUND MODULES.
W.	ROOF ACCESS POINT SHALL BE LOCATED IN AREAS THAT DO NOT REQUIRE THE PLACEMENT OF GROUND LADDERS OVER THE OPENINGS SUCH AS WINDOWS OR DOORS, AND LOCATED AT A STRONG POINT OF BUILDING CONSTRUCTION. FIELD VERIFY EXACT LOCATION.
X.	THE DISCHARGE OF POLLUTANTS TO ANY STORM DRAINAGE SYSTEM IS PROHIBITED. NO SOLID WASTE, PETROLEUM BYPRODUCTS, SOIL PARTICULATE, CONSTRUCTION WASTE MATERIAL OR WASTEWATER GENERATED ON CONSTRUCTION SITE OR BY CONSTRUCTION ACTIVITIES SHALL BE PLACED, CONVEYED OR DISCHARGED INTO THE STREET, GUTTER OR STORM DRAIN SYSTEM.
Y.	ALL WIRING MUST BE PROPERLY SUPPORTED BY DEVICES OR MECHANICAL MEANS DESIGNED AND LISTED FOR SUCH USE AND WIRING MUST BE PERMANENTLY AND COMPLETELY HELD OFF OF THE ROOF SURFACE.
Z.	ALL EQUIPMENT AND CONDUITS SHALL BE PAINTED TO MATCH ITS EXISTING BACKGROUND COLOR OF THAT LOCATION. SYSTEM NOT TO BE ENERGIZED UNTIL APPROVED BY THE LOCAL UTILITY.
AA.	NO ROOFTOP CONDUIT RUNS, J-BOXES, VENTS, OR OTHER EQUIPMENT OR OBSTRUCTIONS ARE ALLOWED IN THE STATE FIRE MARSHAL'S EDGE SETBACKS, LESS THAN 5' WIDE.

VICINITY MAP

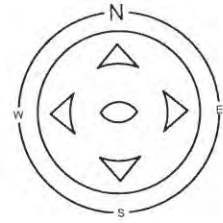


<p>BRIGHT PLANET SOLAR 103A MILLBURY ST, AUBURN MA 01501 888-997-4469</p>	<p>SIGNATURE: <i>Andre Burdoin</i></p> <p>CONTRACTOR LICENSE: C-10#1020761 DATE: 10/30/2023 5:11:33 PM</p>	PROJECT #	BPN60560	REV	DATE	DESCRIPTION	<p>JAMES DOUGHTY 361 E ALVARADO ST POMONA, CA 91767</p>	TITLE SHEET
		SYSTEM SIZE	5.53kW/DC 3.8kW/AC					
		DATE:	10/30/2023 5:11:33 PM					
		DESIGNER:	ANDRE BURDOIN					

AZIMUTH AND TILT ANGLE						
	ROOF					
	ROOF A:	ROOF B:	ROOF C:	ROOF D:	ROOF E:	ROOF F:
AZIMUTH	270°					
TILT ANGLE	7/12					
MODULE COUNT	14					
SOLAR ACCESS						
TSFR AVERAGE						
INVERTERS	SOLAR EDGE SE3800H -USSN	1				
OPTIMIZERS	SOLAR EDGE P401	14				
	MODULE #1:	COUNT:	MODULE #2:	COUNT:	TOTAL COUNT:	
	CANADIAN SOLAR CS3N-395MS	14			14	

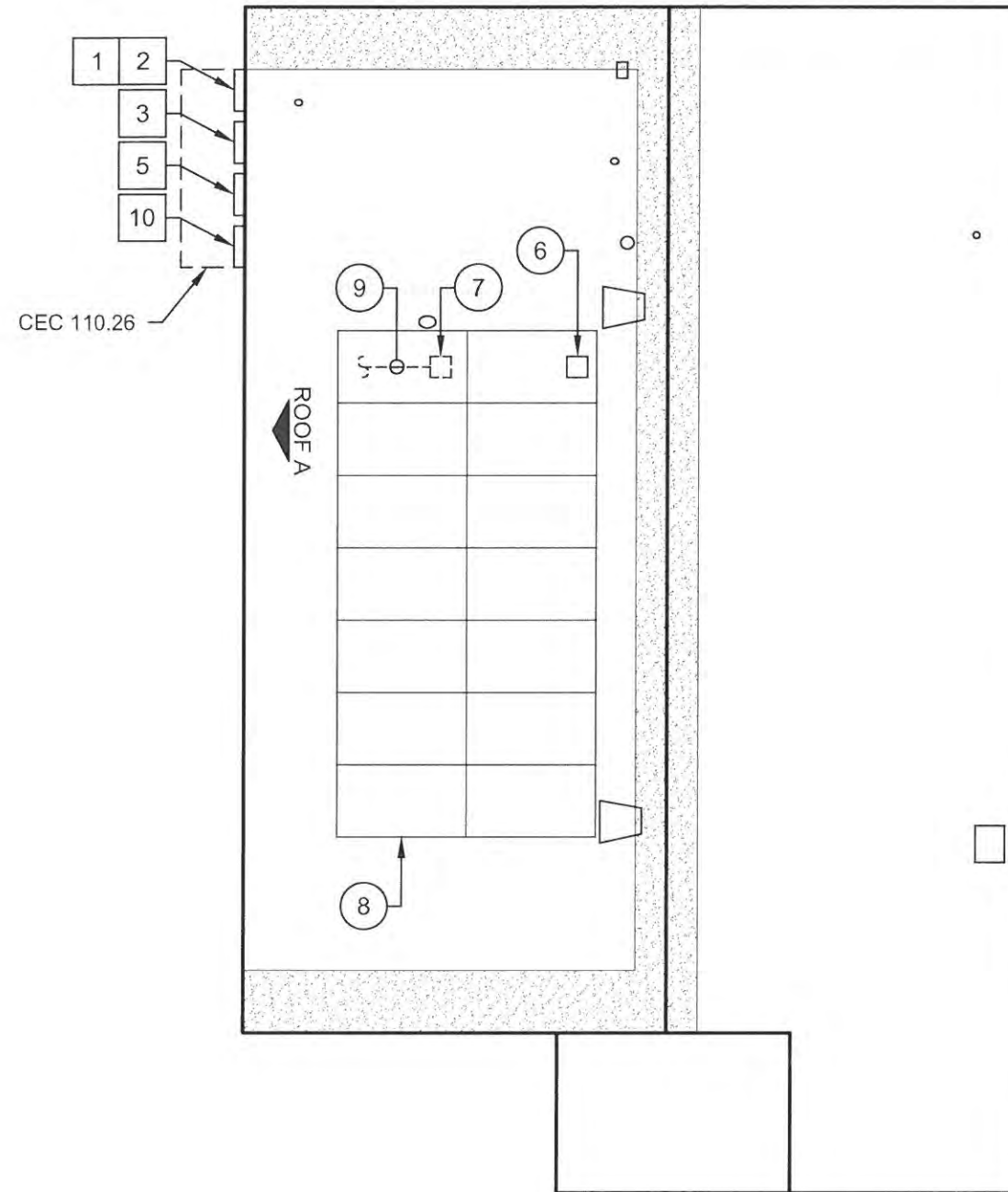


SYMBOL LEGEND	
□	= MECHANICAL VENT
○	= FLUE / PLUMBING VENT



ROOF AREA CALCULATION:
 TOTAL AREA OF ARRAY(S) = 306.6 SQ. FT.
 TOTAL AREA OF ROOF = 2234 SQ. FT.
 PERCENTAGE OF ROOF COVERAGE = 13.7%

- 1 MAIN SERVICE PANEL
- 2 UTILITY METER
- 3 AC DISCONNECT
- 4 NOT USED
- 4.1 NOT USED
- 5 INVERTER & INTEGRATED DC DISCONNECT
- 5.1 NOT USED
- 6 OPTIMIZER (TYPICAL FOR EACH MODULE)
- 7 JUNCTION BOX ON ROOF (SIZE DETERMINED IN FIELD)
- 8 PV MODULES
- 9 CONDUIT RUN IS SURFACE MOUNTED (ACTUAL CONDUIT RUNS TO BE DETERMINED IN THE FIELD)
- 10 ENERGY BANK BATTERY PACK



E ALVARADO ST



BRIGHT PLANET SOLAR
 103A MILLBURY ST,
 AUBURN MA 01501
 888-997-4469

SIGNATURE:

 CONTRACTOR LICENSE:
 C-10#1020761
 DATE: 10/30/2023 5:11:34 PM

PROJECT #	BPN60560	REV	DATE	DESCRIPTION
SYSTEM SIZE	5.53kW/DC 3.8kW/AC		---	
DATE:	10/30/2023 5:11:34 PM		---	
DESIGNER:	ANDRE BURDOIN		---	

JAMES DOUGHTY
 361 E ALVARADO ST
 POMONA, CA 91767

ROOF/SITE PLAN

PV2

NOTE: PLAQUES SHALL BE ATTACHED TO THE SERVICE EQUIPMENT WITH NON CORROSIVE, POP-RIVETS, SCREWS, OR APPROVED ADHESIVE.

1 LOCATION: MAIN SERVICE PANEL & AC DISCONNECT

⚠ WARNING
ELECTRIC SHOCK HAZARD
 DO NOT TOUCH TERMINALS
 TERMINALS ON BOTH THE LINE AND
 LOAD SIDES MAY BE ENERGIZED
 IN THE OPEN POSITION
PHOTOVOLTAIC MODULES PRODUCE DC VOLTAGE
 WHENEVER THEY ARE EXPOSED TO SUNLIGHT

2 LOCATION: MAIN SERVICE PANEL
 PV BACK-FED BREAKER

⚠ WARNING
INVERTER OUTPUT CONNECTION
 DO NOT RELOCATE THIS
 OVERCURRENT DEVICE

3 LOCATION: MAIN SERVICE PANEL
 PV BACK-FED BREAKER

⚠ WARNING
DUAL POWER SUPPLY
 SOURCES: UTILITY GRID AND
 PV SOLAR ELECTRIC SYSTEM

4 LOCATION: UTILITY METER

⚠ WARNING
 THIS SERVICE METER
 IS ALSO SERVED BY A
 PHOTOVOLTAIC SYSTEM

5 LOCATION: PV SUB PANEL (IF USED)

⚠ WARNING
**PHOTOVOLTAIC SYSTEM
 COMBINER PANEL**
 DO NOT ADD LOADS

6 CONDUIT, RACEWAYS & ENCLOSURES

**WARNING: PHOTOVOLTAIC
 POWER SOURCE**

7 LOCATION: DC DISCONNECT/INVERTER #1

PHOTOVOLTAIC SYSTEM DC DISCONNECT

MAXIMUM CIRCUIT CURRENT	10.5 A
MAXIMUM SYSTEM VOLTAGE	480 V
MAXIMUM RATED OUTPUT CURRENT OF THE CHARGE CONTROLLER OR DC-to-DC CONVERTER	15 A

8 LOCATION: MAIN SERVICE PANEL

**PV SYSTEM POINT OF CONNECTION
 SOLAR PV SYSTEM AC POINT OF CONNECTION**

MAX AC OUTPUT CURRENT	16 A
MAX NOMINAL AC VOLTAGE	240 V

THIS PANEL FED BY MULTIPLE SOURCES
 (UTILITY AND SOLAR)

9 LOCATION: MAIN SERVICE PANEL

**PHOTOVOLTAIC SYSTEM EQUIPPED
 WITH RAPID SHUTDOWN**

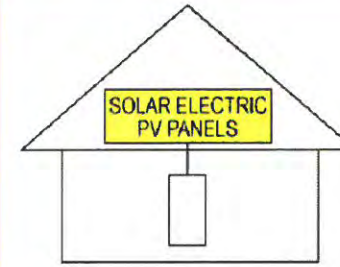
10 LOCATION: INVERTER

**RAPID SHUTDOWN SWITCH FOR
 SOLAR PV SYSTEM**

11 LOCATION: MAIN PANEL

**SOLAR PV SYSTEM EQUIPPED
 WITH RAPID SHUTDOWN**

TURN RAPID SHUTDOWN
 SWITCH TO THE
 "OFF" POSITION TO
 SHUT DOWN PV SYSTEM
 AND REDUCE
 SHOCK HAZARD
 IN THE ARRAY



13 LOCATION: MAIN SERVICE PANEL / AC DISCONNECT

**MAIN PHOTOVOLTAIC
 SYSTEM DISCONNECT**

14 LOCATION: AC DISCONNECT

PHOTOVOLTAIC AC DISCONNECT

16 LOCATION: ENERGY STORAGE

SOLAREGE

RATED FREQUENCY:	60Hz
PHASES:	SINGLE
RATING (kW or kVA):	5kW
AVAILABLE FAULT CURRENT (AT OUTPUT TERMINALS):	1k/10A _{dc}
MAXIMUM OUTPUT AND INPUT CURRENT (AT OUTPUT TERMINALS):	14.3A _{dc}
MAXIMUM OUTPUT AND INPUT VOLTAGE (AT OUTPUT TERMINALS):	450V
UTILITY-INTERACTIVE CAPABLE:	YES

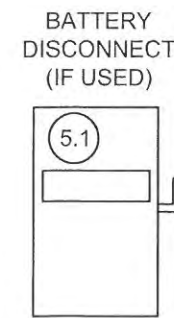
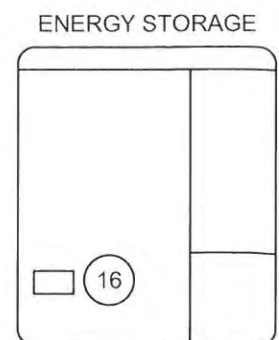
NOMINAL ESS AC VOLTAGE:	N/A
MAXIMUM ESS DC VOLTAGE:	450V
AVAILABLE FAULT CURRENT DERIVED FROM THE ESS:	1k/10A _{dc}
DATE CALCULATION WAS PERFORMED:	10/30/2023

5.1 LOCATION: BATTERY DISCONNECT

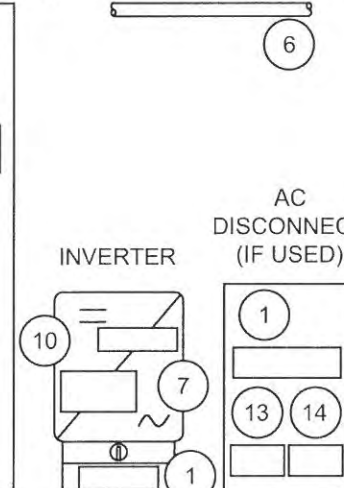
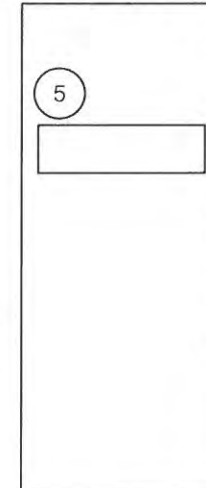
⚠ WARNING
ELECTRIC SHOCK HAZARD
 TERMINALS ON THE LINE AND
 LOAD SIDES MAY BE ENERGIZED
 IN THE OPEN POSITION

15 LOCATION: MAIN SERVICE PANEL

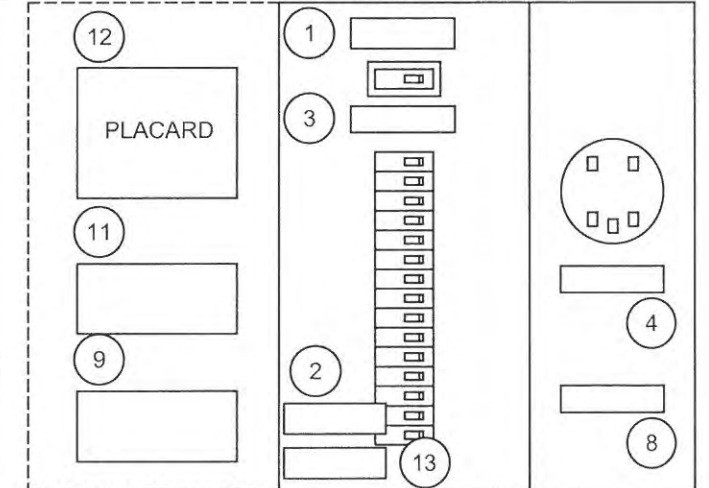
⚠ WARNING ⚠
THREE POWER SOURCES
 SOURCES: UTILITY GRID, BATTERY
 AND PV SOLAR ELECTRIC SYSTEM



PV SUB PANEL (IF USED) CONDUITS/RACEWAYS



FOR ILLUSTRATION ONLY (NOT ACTUAL MSP)
 MAIN SERVICE PANEL



BRIGHT PLANET SOLAR
 103A MILLBURY ST,
 AUBURN MA 01501
 888-997-4469

SIGNATURE:

 CONTRACTOR LICENSE:
 C-10#1020761
 DATE: 10/30/2023 5:11:44 PM

PROJECT #	BPN00560	REV	DATE	DESCRIPTION
SYSTEM SIZE	5.53kW/DC 3.8kW/AC			
DATE:	10/30/2023 5:11:44 PM			
DESIGNER:	ANDRE BURDOIN			

JAMES DOUGHTY
 361 E ALVARADO ST
 POMONA, CA 91767

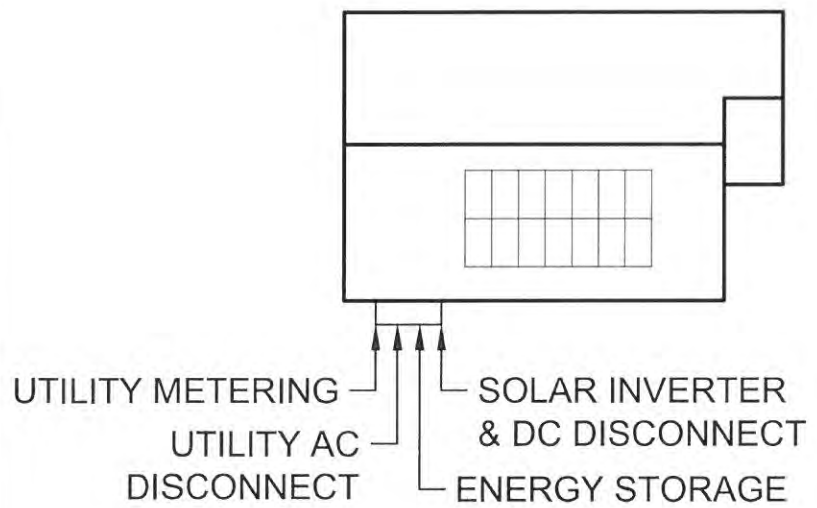
EQUIPMENT
 LABELS

PV4

12 PLACARD

CAUTION

POWER TO THIS BUILDING IS ALSO SUPPLIED FROM THE FOLLOWING SOURCES WITH DISCONNECTS AS SHOWN



E ALVARADO ST



BRIGHT PLANET SOLAR
 103A MILLBURY ST,
 AUBURN MA 01501
 888-997-4469

SIGNATURE:

 CONTRACTOR LICENSE:
 C-10#1020761
 DATE: 10/30/2023 5:11:44 PM

PROJECT #	BPN60560		REV	DATE	DESCRIPTION
SYSTEM SIZE	5.53kW/DC	3.8kW/AC		--	
DATE:	10/30/2023 5:11:44 PM			--	
DESIGNER:	ANDRE BURDOIN			--	
				--	

JAMES DOUGHTY
 361 E ALVARADO ST
 POMONA, CA 91767

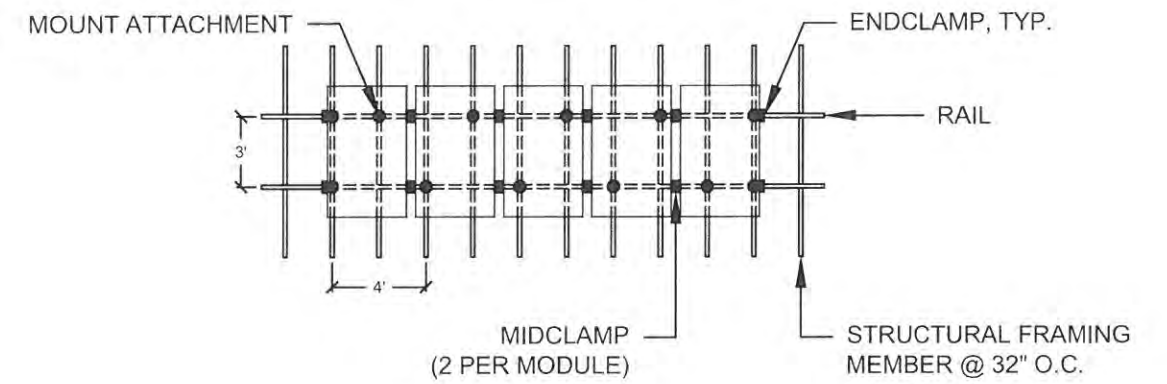
PLACARD

PV4.1

Table R802.5.1(2) - Continued
 RAFTER SPANS FOR COMMON LUMBER SPECIES
 (Roof live load = 20 psf, ceiling attached to rafters, L/Δ = 240)

RAFTER SPACING (inches)	SPECIES AND GRADE	DEAD LOAD = 10 psf					DEAD LOAD = 20 psf				
		2 x 4	2 x 6	2 x 8	2 x 10	2 x 12	2 x 4	2 x 6	2 x 8	2 x 10	2 x 12
		Maximum rafter spans*									
		(feet-inches)	(feet-inches)	(feet-inches)	(feet-inches)	(feet-inches)	(feet-inches)	(feet-inches)	(feet-inches)	(feet-inches)	
24	Douglas fir-larch SS	8-3	13-0	17-2	21-10	Note b	8-3	13-0	16-10	20-7	23-10
	Douglas fir-larch #1	8-0	12-6	15-10	19-5	22-6	7-5	10-10	13-9	16-9	19-6
	Douglas fir-larch #2	7-10	11-11	15-1	18-5	21-4	7-0	10-4	13-0	15-11	18-6
	Douglas fir-larch #3	6-2	9-1	11-6	14-1	16-3	5-4	7-10	10-0	12-2	14-1
	Him-fir SS	7-10	12-3	16-2	20-8	25-1	7-10	12-3	16-2	19-10	23-0
	Him-fir #1	7-8	12-0	15-8	19-2	22-2	7-4	10-9	13-7	16-7	19-3
	Him-fir #2	7-3	11-5	14-8	17-10	20-9	6-10	10-0	12-8	15-6	17-11
	Him-fir #3	6-1	8-10	11-3	13-8	15-11	5-3	7-8	9-9	11-10	13-9
	Southern Pine SS	8-1	12-9	16-10	21-6	Note b	8-1	12-9	16-10	20-10	24-8
	Southern Pine #1	7-10	12-3	16-2	18-11	22-6	7-5	11-1	14-0	16-5	19-6
	Southern Pine #2	7-4	11-0	13-11	16-6	19-6	6-4	9-6	12-1	14-4	16-10
	Southern Pine #3	5-8	8-4	10-6	12-9	15-1	4-11	7-3	9-1	11-0	13-1
	Spruce-pine-fir SS	7-8	12-0	15-10	20-2	24-7	7-8	12-0	15-4	18-9	21-9
	Spruce-pine-fir #1	7-6	11-9	14-10	18-2	21-0	6-11	10-2	12-10	15-8	18-3
	Spruce-pine-fir #2	7-6	11-9	14-10	18-2	21-0	6-11	10-2	12-10	15-8	18-3
	Spruce-pine-fir #3	6-1	8-10	11-3	13-8	15-11	5-3	7-8	9-9	11-10	13-9

ROOF A:
PHOTOVOLTAIC DEAD LOAD STATEMENT
 TOTAL AREA OF ARRAY = 253.94 SQ. FT.
 ARRAY GROSS WEIGHT = 711.04 LBS
 DEAD LOAD RATING = 2.8 LBS/SQ.FT.
 EXISTING STRUCTURAL FRAMING = 2x4 @ 32 IN. O.C.



- = MOUNT ATTACHMENT LOCATION
- MAXIMUM OVERHANG (CANTILEVER) IS 19"
- MAXIMUM SPACING OF ANCHORS (FOOTINGS) IS 48 IN. O.C.
- FIELD VERIFY EXACT LOCATION OF STRUCTURE MEMBERS.



BRIGHT PLANET SOLAR
 103A MILLBURY ST.
 AUBURN MA 01501
 888-997-4469

SIGNATURE:

Andre Burdoin

CONTRACTOR LICENSE:
 C-10#1020761
 DATE: 10/30/2023 5:11:44 PM

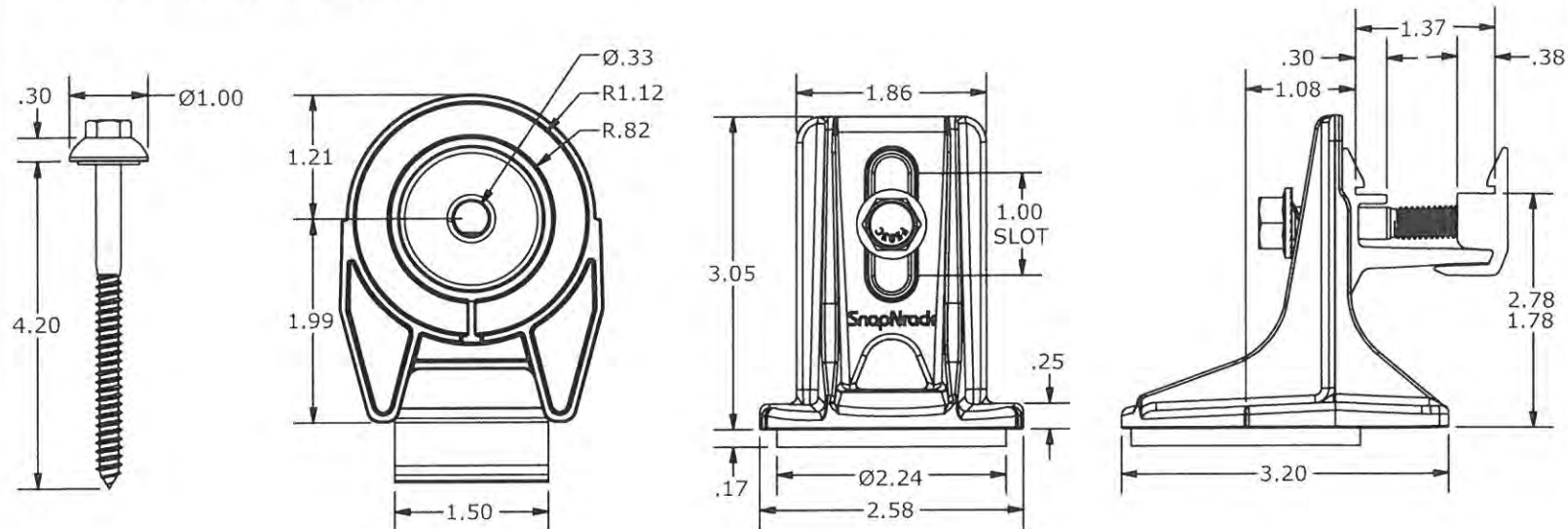
PROJECT #	BP#0560	REV	DATE	DESCRIPTION
SYSTEM SIZE	5.53kW/DC 3.8kW/AC		--	
DATE:	10/30/2023 5:11:44 PM		--	
DESIGNER:	ANDRE BURDOIN		--	
			--	

JAMES DOUGHTY
 361 E ALVARADO ST
 POMONA, CA 91767

ATTACHMENT
 PLAN

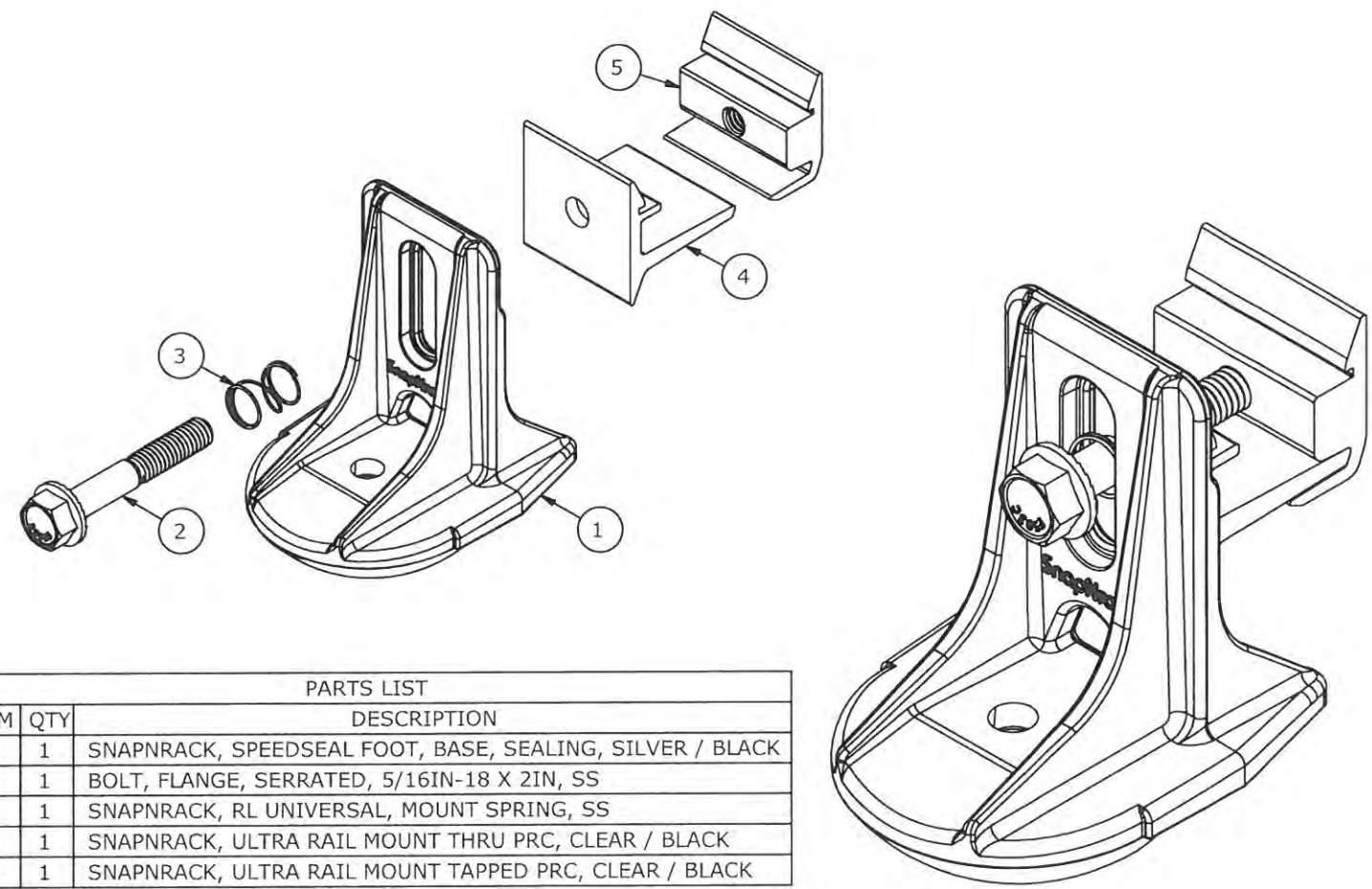
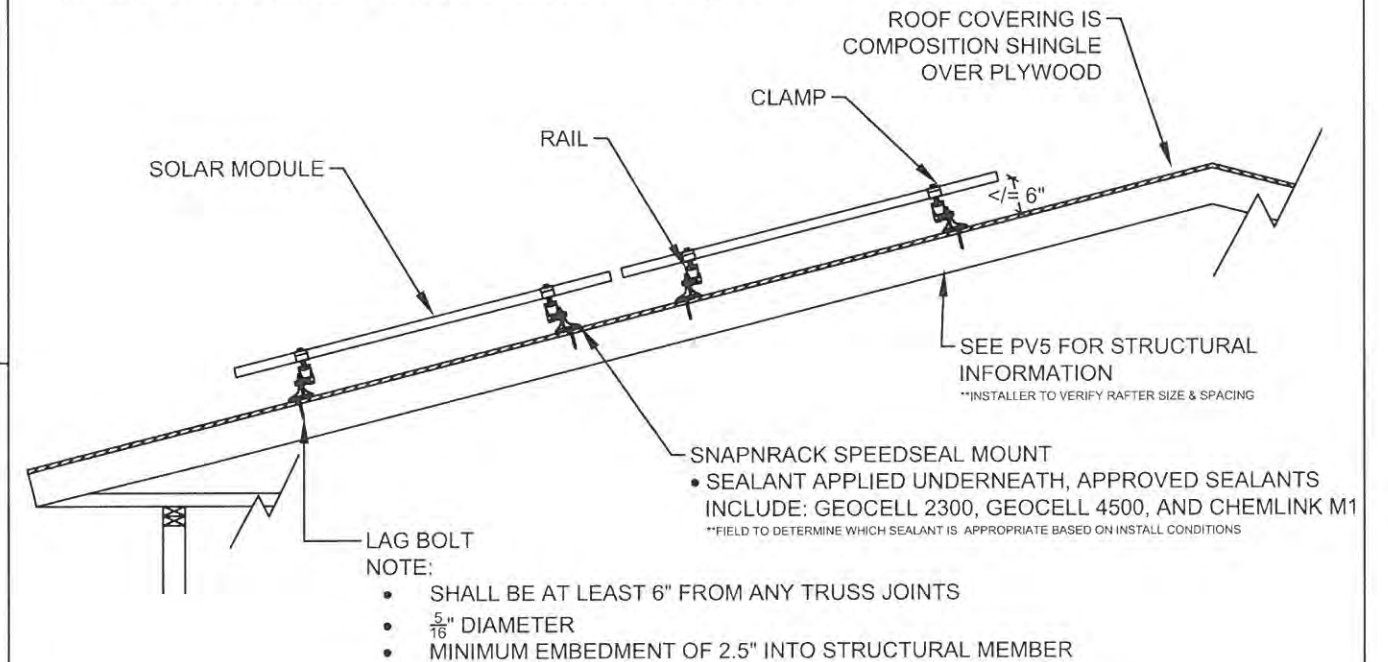
PV5

ALL DIMENSIONS IN INCHES

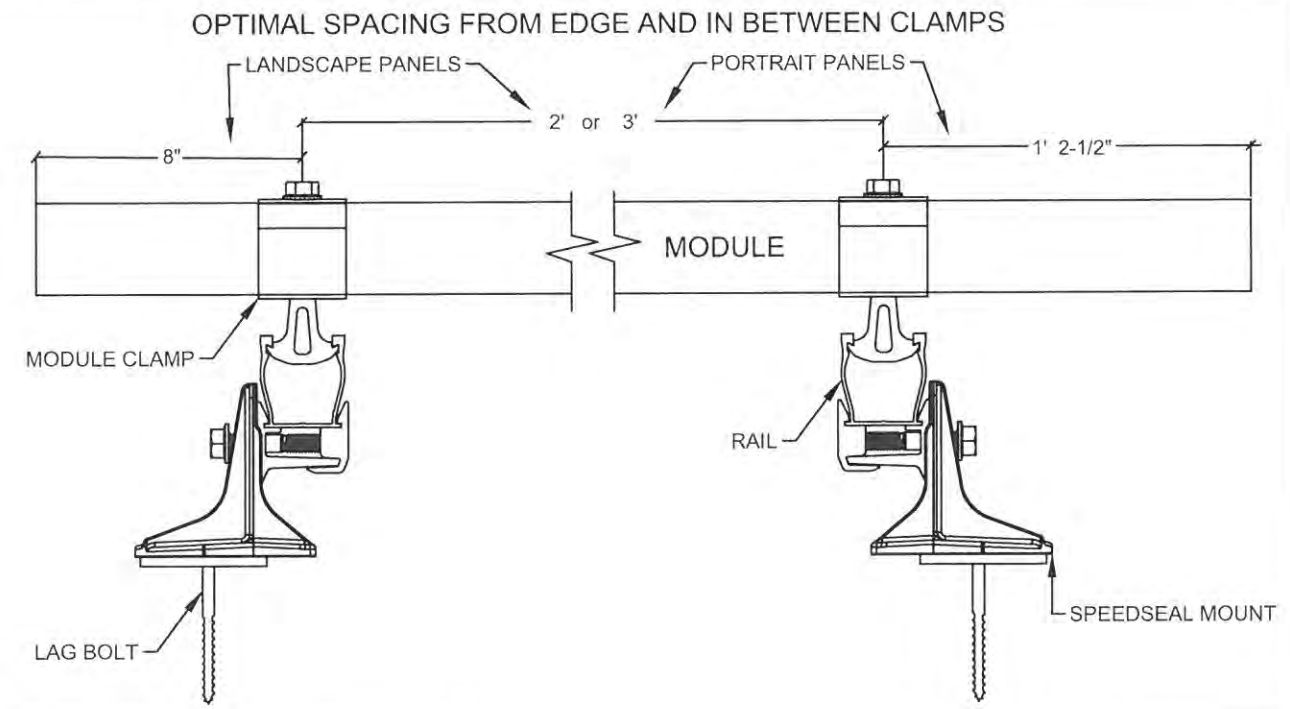


SNAPRACK ROOF MOUNT SYSTEM

SNOW/CRITTER GUARD TO BE INSTALLED, IF REQUIRED



PARTS LIST		
ITEM	QTY	DESCRIPTION
1	1	SNAPRACK, SPEEDSEAL FOOT, BASE, SEALING, SILVER / BLACK
2	1	BOLT, FLANGE, SERRATED, 5/16IN-18 X 2IN, SS
3	1	SNAPRACK, RL UNIVERSAL, MOUNT SPRING, SS
4	1	SNAPRACK, ULTRA RAIL MOUNT THRU PRC, CLEAR / BLACK
5	1	SNAPRACK, ULTRA RAIL MOUNT TAPPED PRC, CLEAR / BLACK



BRIGHT PLANET SOLAR
103A MILLBURY ST,
AUBURN MA 01501
888-997-4469

SIGNATURE: *Andre Burdoin*
CONTRACTOR LICENSE:
C-10#1020761
DATE: 10/30/2023 5:11:45 PM

PROJECT #	BP00580	REV	DATE	DESCRIPTION
SYSTEM SIZE	5.53kW/DC 3.8kW/AC			
DATE:	10/30/2023 5:11:45 PM			
DESIGNER:	ANDRE BURDOIN			

JAMES DOUGHTY
361 E ALVARADO ST
POMONA, CA 91767

STRUCTURAL COMPONENTS

PV6



Google Earth

BRIGHT PLANET SOLAR
 103A MILLBURY ST,
 AUBURN MA 01501
 888-997-4469

SIGNATURE:

 CONTRACTOR LICENSE:
 C-10#1020761
 DATE: 10/30/2023 5:11:45 PM

PROJECT #	BPN60560		REV	DATE	DESCRIPTION
SYSTEM SIZE	5.53kW/DC	3.8kW/AC		--	
DATE:	10/30/2023 5:11:45 PM			--	
DESIGNER:	ANDRE BURDOIN			--	
				--	

JAMES DOUGHTY
 361 E ALVARADO ST
 POMONA, CA 91767

PROPERTY LINES
PV7